

ILLUSTRATED PARTS LIST

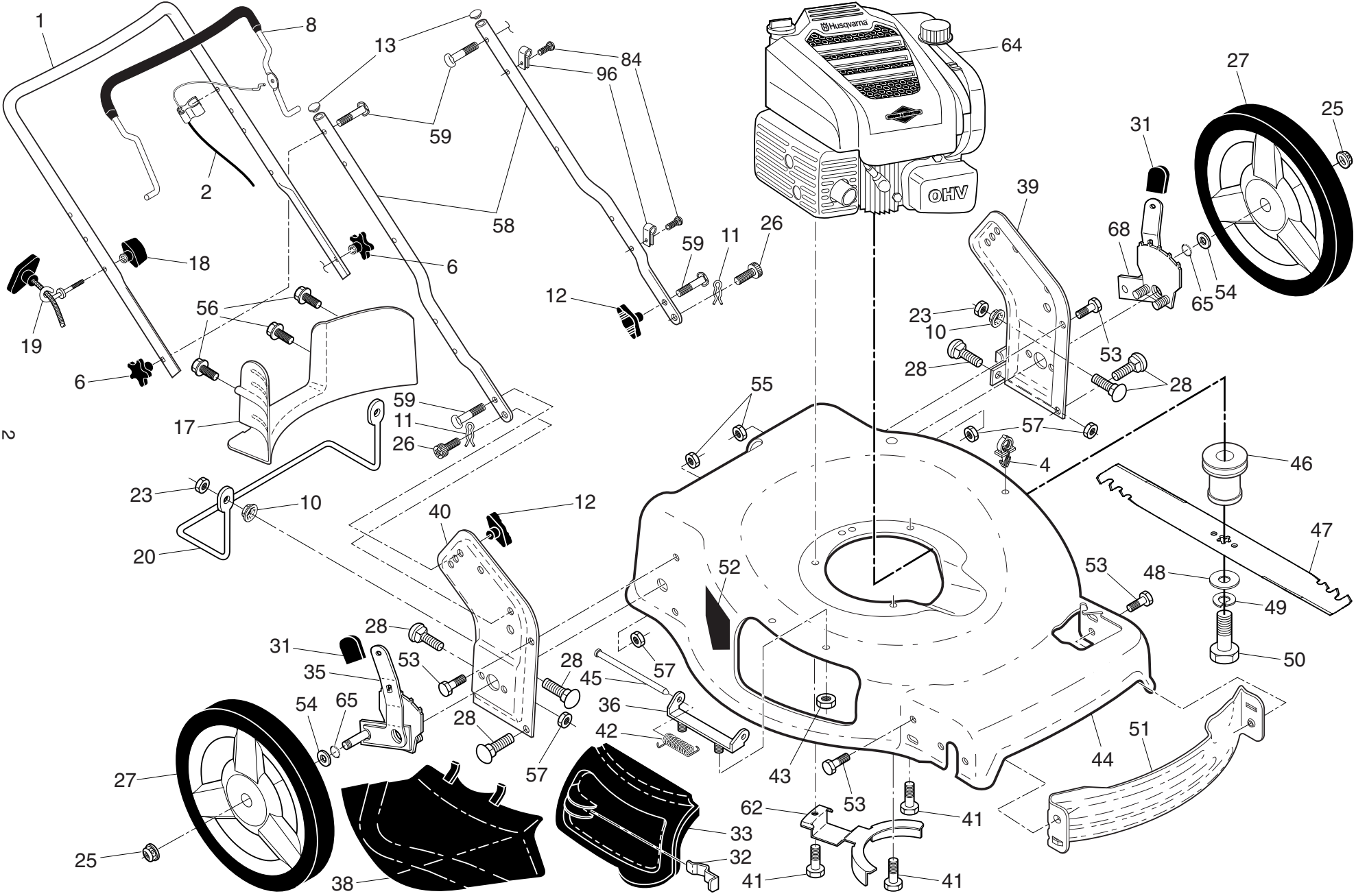
BRAND: HUSQVARNA

ROTARY LAWN MOWER

MODEL NUMBER: LB 155S

MFG. ID. NUMBER: 96121003700

HUSQVARNA ROTARY LAWN MOWER - - MODEL NUMBER LB 155S MFG. ID. NUMBER 96121003700)



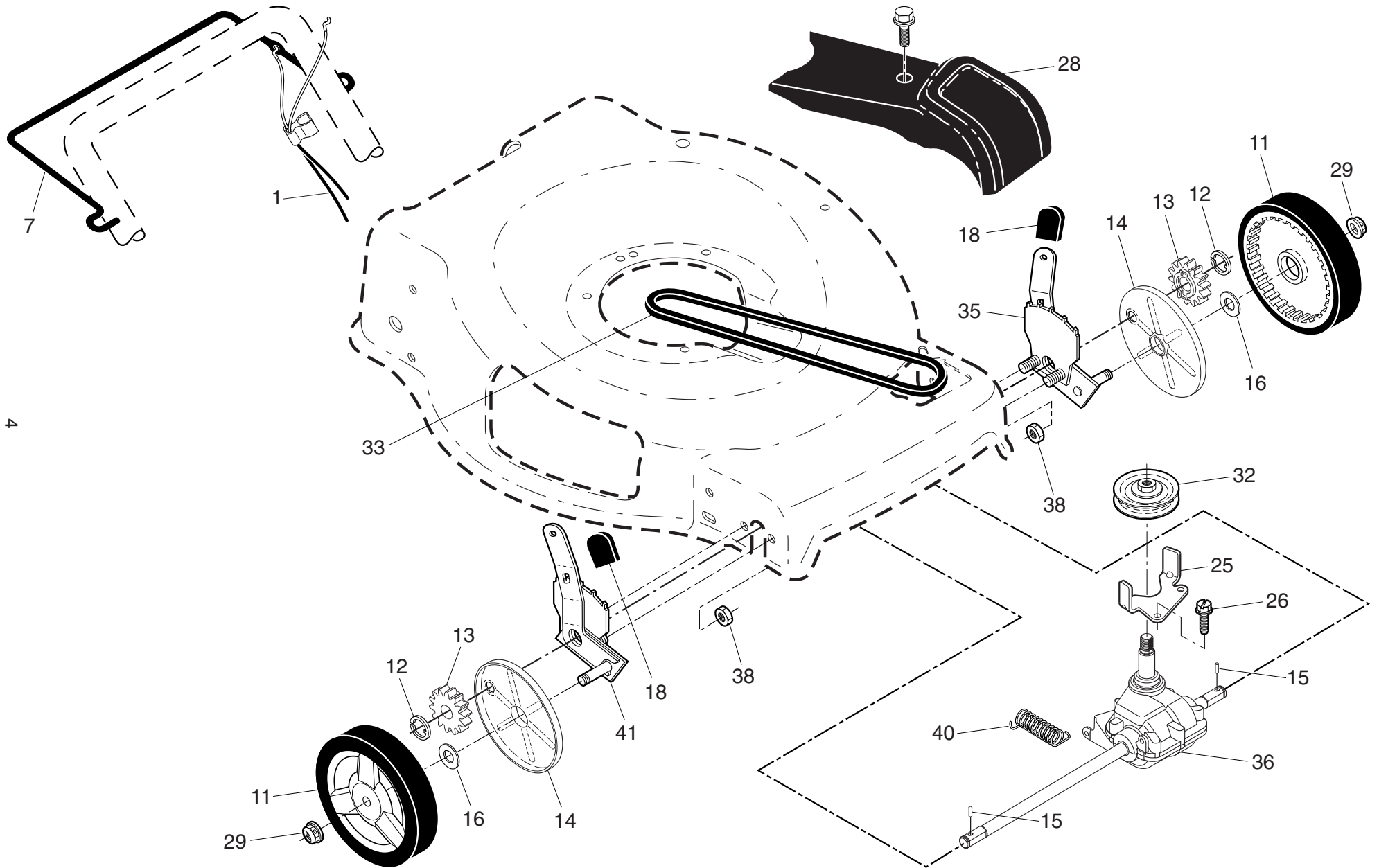
HUSQVARNA ROTARY LAWN MOWER - - MODEL NUMBER LB 155S MFG. ID. NUMBER 96121003700)

KEY NO.	PART NO.	DESCRIPTION	KEY NO.	PART NO.	DESCRIPTION
1	585 85 48-03	Upper Handle	46	581 47 33-01	Blade Adapter / Pulley
2	532 42 09-39	Engine Zone Control Cable	47	580 24 40-01	Blade, 22"
4	532 14 50-06	Guide, Cable	48	532 85 10-74	Washer, Hardened
6	532 18 23-98	Handle Knob, Star	49	532 85 02-63	Washer, Helical
8	587 68 93-02	Control Bar, Overmolded	50	532 85 10-84	Screw, Machine, Hex Head 3/8-24 x 1-3/8 Grade 8
10	532 42 30-63	Palnut			
11	532 42 55-75	Hairpin	51	532 43 05-99	Front Baffle
12	532 19 19-38	Handle Knob, Standard	52	532 18 21-66	Decal, Danger
13	532 43 75-16	Plug, Lower Handle Bar	53	817 00 05-10	Screw, Hex Head 5/16
17	532 42 73-07	Rear Baffle	54	532 08 83-48	Washer, Flat
18	581 91 26-01	T-Knob	55	532 19 17-30	Nut, Hex, Flanged 1/4-20
19	581 90 21-01	Rope Guide	56	817 41 13-12	Screw, Hex Washer Head #13 x 3/4
20	532 42 24-67	Footguard			
23	873 97 05-00	Nut, Hex	57	532 15 53-77	Locknut, Hex 5/16-18
25	532 40 91-49	Nut, Hex, Flanged	58	585 90 82-03	Bar, Lower Handle
26	532 41 99-45	Screw, Rear Door/Handle Pivot	59	532 19 15-74	Handle Bolt
27	585 91 10-01	Wheel & Tire Assembly, Rear	62	532 43 50-59	Belt Retainer
28	586 21 25-01	Bolt, Carriage 5/16-18 x 5/8	64	- - -	Engine, Briggs & Stratton, Model Number 103M02-0027-H1 (order parts from Briggs & Stratton)
31	532 70 10-37	Selector Knob			
32	532 44 11-92	Latch, Mulcher Door			
33	532 41 99-27	Mulcher Door	65	532 19 74-80	O-Ring
35	532 43 11-40	Wheel Adjuster Assembly, RH	68	532 43 11-41	Wheel Adjuster Assembly, LH
36	532 17 57-35	Hinge Bracket Assembly	84	532 42 81-24	Fastener, Push
38	532 42 61-29	Discharge Deflector	96	532 19 79-91	Clip, Cable
39	585 90 07-03	Handle Bracket, LH	--	532 42 38-49	Bag of Parts (Includes Key Numbers 12 and 59)
40	585 90 08-03	Handle Bracket, RH			
41	532 15 04-06	Screw, Dogpoint 3/8-16 x 1-1/8	--	115 79 11-20	Operator's Manual, European
42	532 19 30-00	Spring, Torsion	--	115 79 10-10	Operator's Manual, Scandinavian
43	532 43 81-30	Nut, Hex, Nylock	--	115 79 13-50	Operator's Manual, East Bloc
44	581 80 19-01	Kit, Lawn Mower Housing	--	115 79 12-40	Operator's Manual, Baltic
45	532 17 56-50	Rod, Hinge	--	115 79 14-38	Operator's Manual, Ukranian/Turkish

NOTE: All component dimensions given in U.S. inches. 1 inch = 25.4 mm

IMPORTANT: Use only Original Equipment Manufacturer (O.E.M.) replacement parts. Failure to do so could be hazardous, damage your lawn mower and void your warranty.

HUSQVARNA ROTARY LAWN MOWER - - MODEL NUMBER LB 155S MFG. ID. NUMBER 96121003700)



HUSQVARNA ROTARY LAWN MOWER - - MODEL NUMBER LB 155S MFG. ID. NUMBER 96121003700)

KEY NO.	PART NO.	DESCRIPTION	KEY NO.	PART NO.	DESCRIPTION
1	585 04 07-01	Drive Cable Assembly	28	581 83 90-01	Drive Cover Assembly (Includes Mounting Screw and Pushnut)
7	585 12 31-02	Control Bar, Drive	29	532 40 91-48	Locknut, Hex
11	532 41 10-81	Wheel & Tire Assembly, Front	32	586 98 97-01	Drive Pulley
12	812 00 00-58	E-Ring	33	532 19 68-53	V-Belt
13	532 40 38-49	Pinion	35	581 49 79-07	Wheel Adjuster Assembly, LH (Includes Bearing)
14	581 84 04-01	Dust Cover	36	532 42 47-41	Gear Case Assembly, Complete
15	532 40 48-45	Pawl, Drive	38	532 43 81-30	Locknut, Hex 1/4-20
16	532 06 77-25	Washer, Flat 3/8	40	532 40 65-58	Spring
18	532 70 10-37	Selector Knob	41	581 49 79-08	Wheel Adjuster Assembly, RH (Includes Bearing)
25	532 43 17-11	Belt Guide Bracket			
26	532 16 34-09	Screw, Hi-Lo Thread #12 x 5/8			

NOTE: All component dimensions given in U.S. inches. 1 inch = 25.4 mm

IMPORTANT: Use only Original Equipment Manufacturer (O.E.M.) replacement parts. Failure to do so could be hazardous, damage your lawn mower and void your warranty.